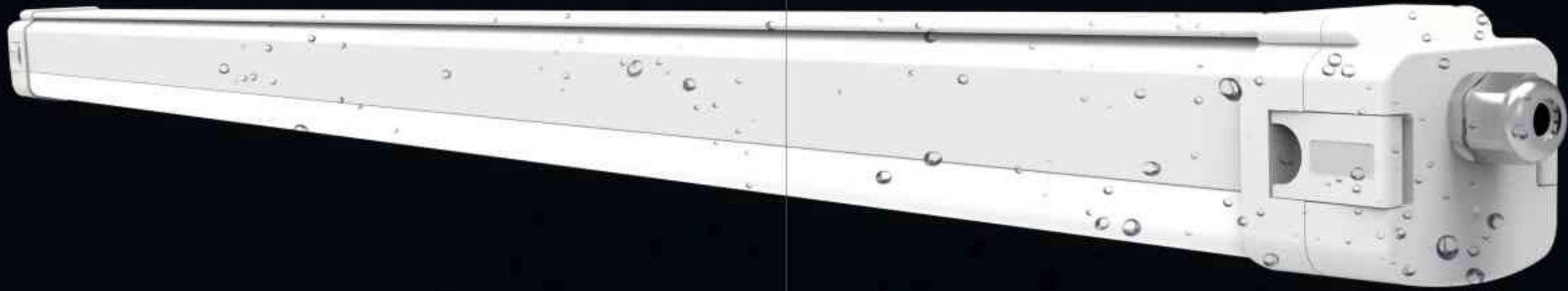


# **DREAMBOAT**

IP65 tri-proof light



# DREAMBOAT

IP65 tri-proof light

Optical lens

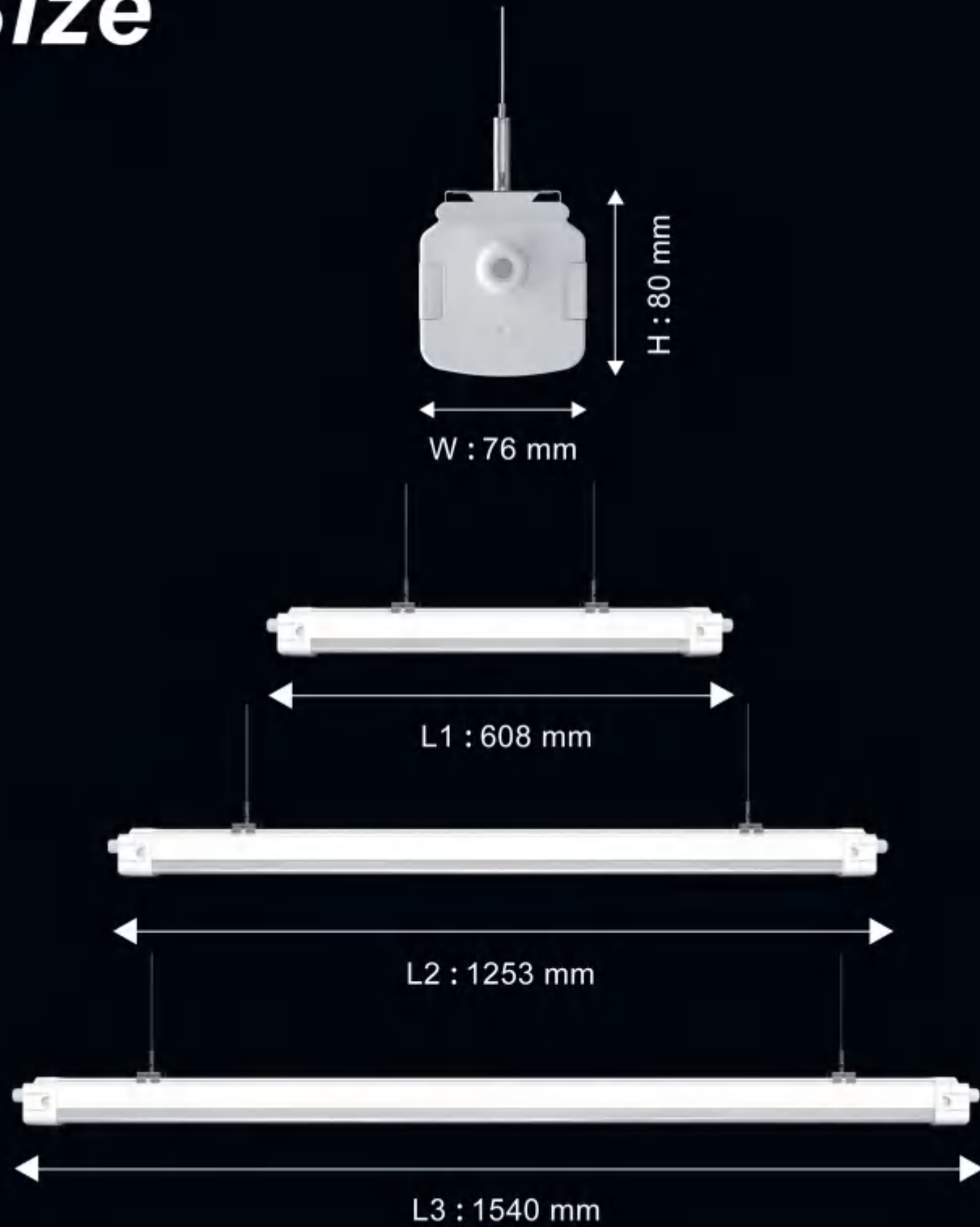
Phase switch

Countinous installation

Tool-free maintenance

Compare to most common tri-proof light on the market, DREAMBOAT is more innovative to help customer to meet high requirements and minimize costs in various industrial application by providing more optical option and extremely easy installation and maintenance.

# Size



**DREAMBOAT**  
IP65 tri-proof light

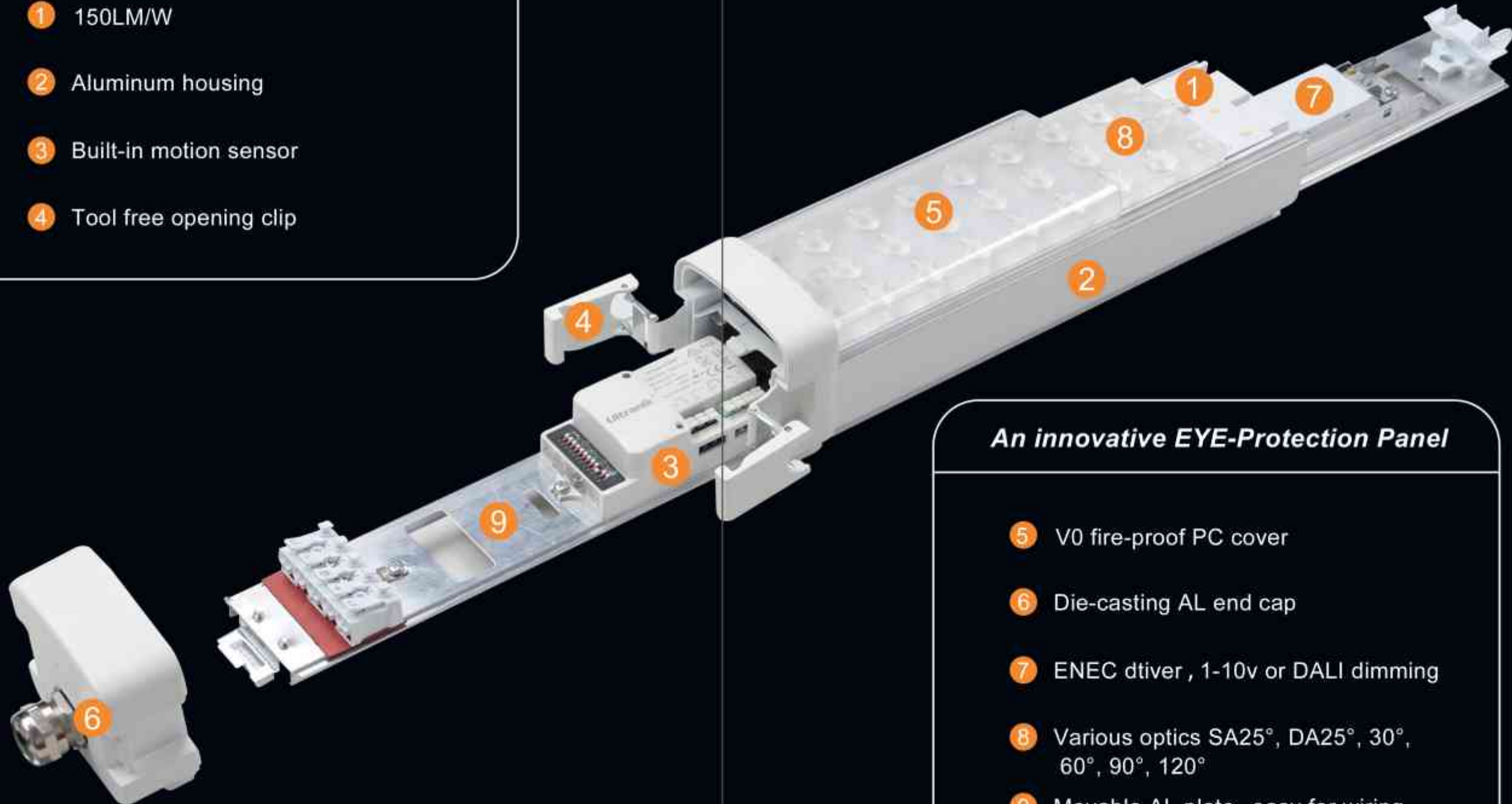


*An innovative EYE-Protection Panel*

- 1 150LM/W
- 2 Aluminum housing
- 3 Built-in motion sensor
- 4 Tool free opening clip

# DREAMBOAT

IP65 tri-proof light



*An innovative EYE-Protection Panel*

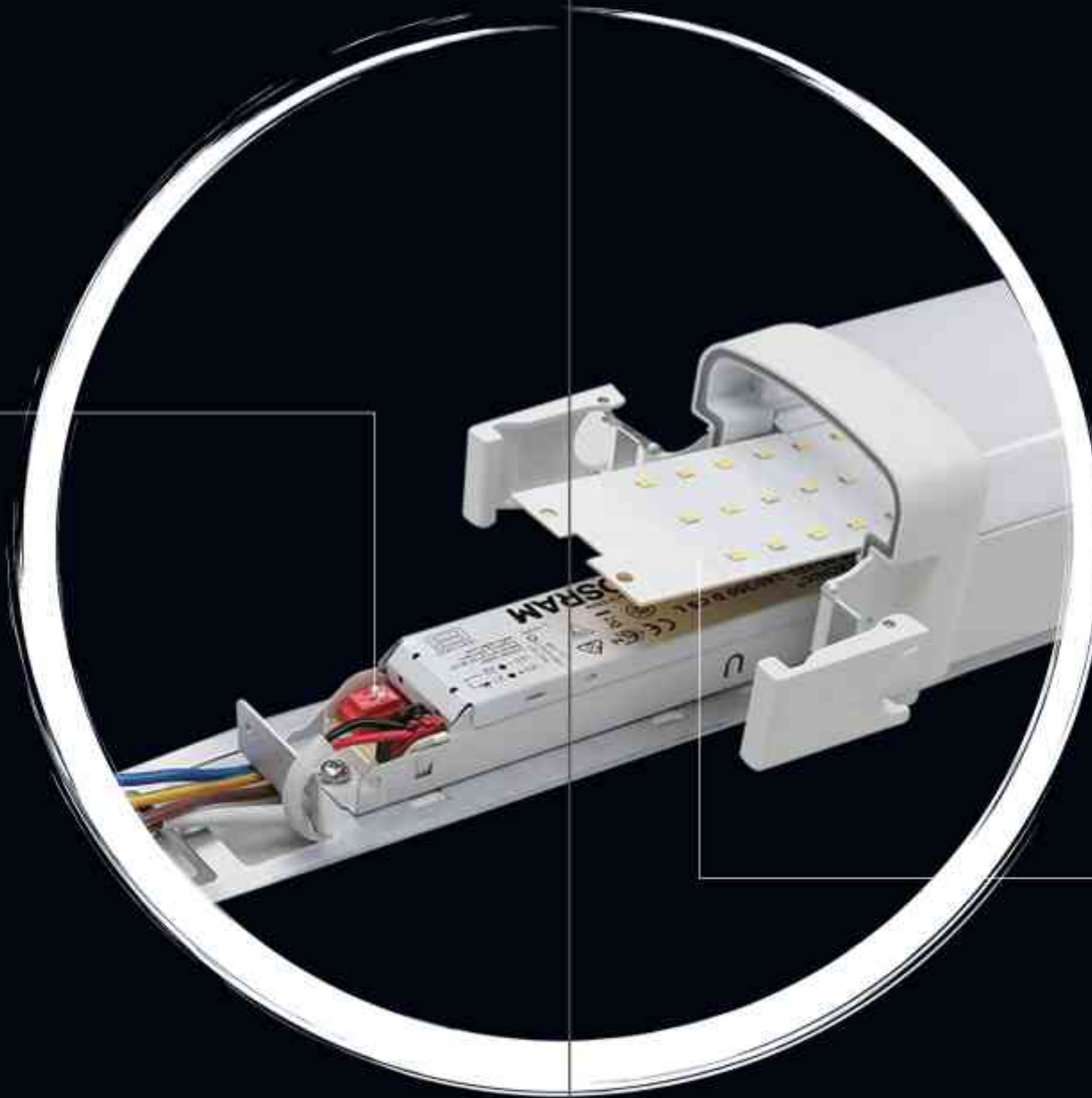
- 5 V0 fire-proof PC cover
- 6 Die-casting AL end cap
- 7 ENEC driver , 1-10v or DALI dimming
- 8 Various optics SA25° , DA25° , 30° , 60° , 90° , 120°
- 9 Movable AL plate , easy for wiring and maintainance

# DREAMBOAT

IP65 tri-proof light

The PCB can be replaced very easily without any tool.

Power dip switch



PCB Replaceable





## Beam angle



30°



60°



90°



120°



30×110°



ASymmetric  
L or R



Double  
ASymmetric

## DREAMBOAT

IP65 tri-proof light

Optical lens integrated, the light can be used at different height,  
meeting Lux requirement for various applications



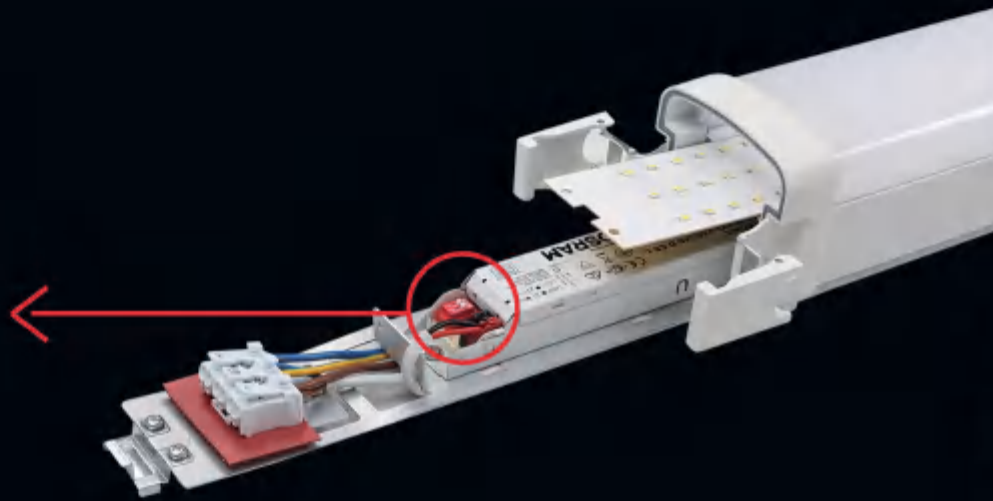


## POWER ADJUSTABLE BY DIP SWITCH DESIGN

Various power options. It's extremely easy to select the power range by setting the DIP Switch.

for Osram driver

P1	1	2
58W	-	-
50W	-	NO
42W	NO	-
33W	NO	NO



for Trieco driver

P1	1	2	3
75W	-	-	-
65W	NO	-	-
55W	-	NO	-
45W	NO	NO	-
40W	-	-	NO
35W	NO	-	NO
30W	-	NO	NO
25W	NO	NO	NO





## **DREAMBOAT**

IP65 tri-proof light

*Interior through 2.5 mm<sup>2</sup> wires  
available for continuous installation*

**CONTINUOUS CONNECTION WITH 3/5 WIRES AC CABLE**





# **DREAMBOAT**

IP65 tri-proof light

# **DREAMBOAT**

IP65 tri-proof light



6 different beam angles enable the light to be installed at the place as high as 20 meters.



**DREAMBOAT**  
IP65 tri-proof light



1-10V Dimmable/  
DALI Dimmable



Emergency



Motion Sensor



# ACCESSORY



### Surface ceiling fixing

Model No : DMA001  
Kits Size : 53\*36\*15mm  
Thickness : 0.5mm spring steel

### Steel cable suspension

Model No : DMA002  
Steel cable suspension kits  
Length : 2 meter



### Chain suspension

Model No:DMA003  
Chain suspension kits  
Length: 2 meter

### Input cable protector

Model No: DMA012S  
IP 67 Waterproof joint  
Material: Iron nickel plating



### RedUCing calve

Model No: DMA015  
For keeping internal and external  
pressure balance  
Material: PC

### Input cable protector

Model No: DMA012  
IP 67 Waterproof joint  
Material: PC



### Adjustable angle bracket kit

Model No: DMA001ADP  
For wall mounted  
Material : Steel





**TRICCO**  
Innovate Your Light

# DREAMBOAT

IP65 tri-proof light





**TRIGEO**  
Innovate Your Light

# DREAMBOAT

IP65 tri-proof light





**TRICCO**  
Innovate Your Light

# DREAMBOAT

IP65 tri-proof light





Tel:+86-752-5559317

Fax:+86-752-5559357

Email:[info@trico-led.com](mailto:info@trico-led.com)

Website:[www.trico-led.com](http://www.trico-led.com)