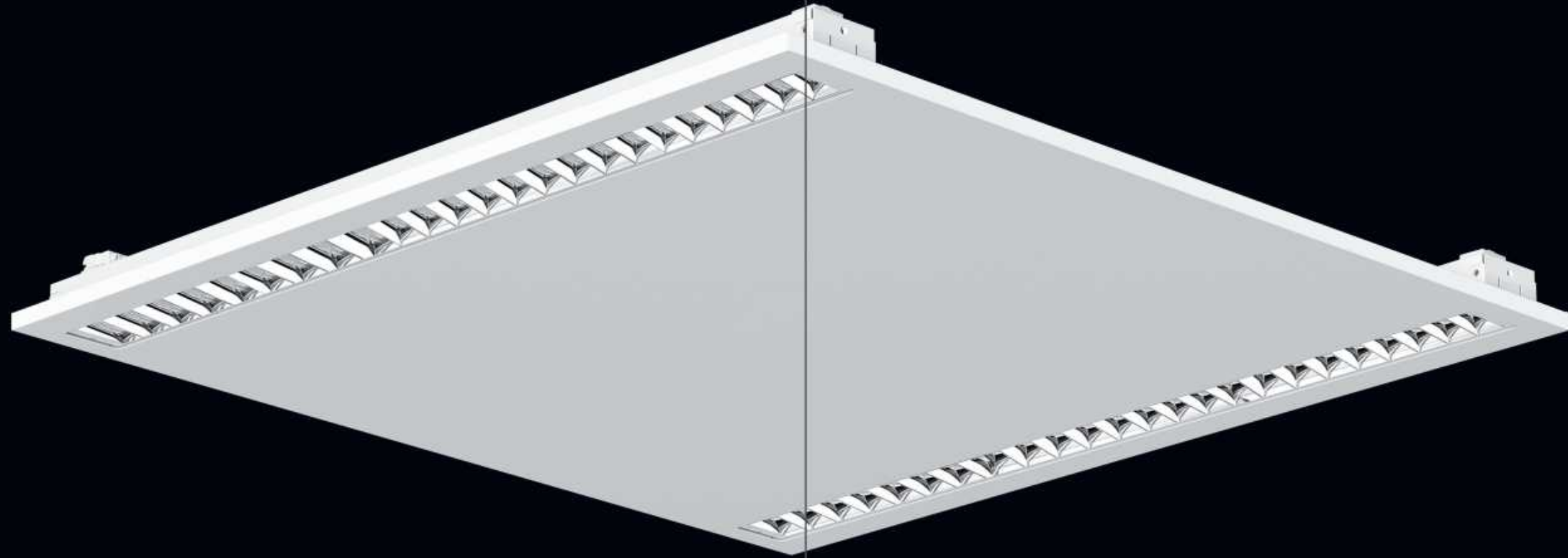


EOS ALYCE

Modular Panel Light



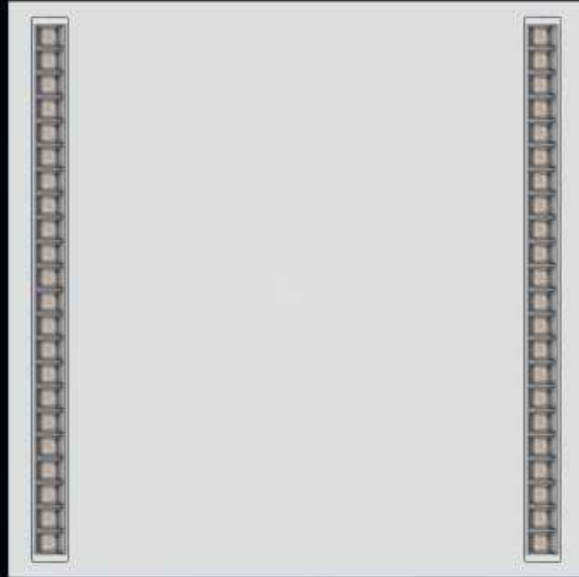
EOS ALYCE

Modular Panel Light

Interchangeable light source

Power adjustable 25-40W

UGR 16



EOS ALYCE

Modular Panel Light

EOS ALYCE may become a next generation panel light by creating a modular louver design light source for the luminaire.

Compared to the traditional panel light with side lit solution integrating the light source and luminaire as a whole, EOS ALYCE allows people replace the emitting part without taking out the luminaire.

EOS ALYCE is the first class option for offices and education by providing excellent glare control optics with low UGR index down to <math><16</math> and high lumen efficiency of 135lm/w. EOS can be installed in various ceiling types:

for traditional ceiling with T bar, the luminaires is simply lay in; In case of concealed carriers or sawn ceiling cut-outs, a mounting kit can be provided for facilitates installation.



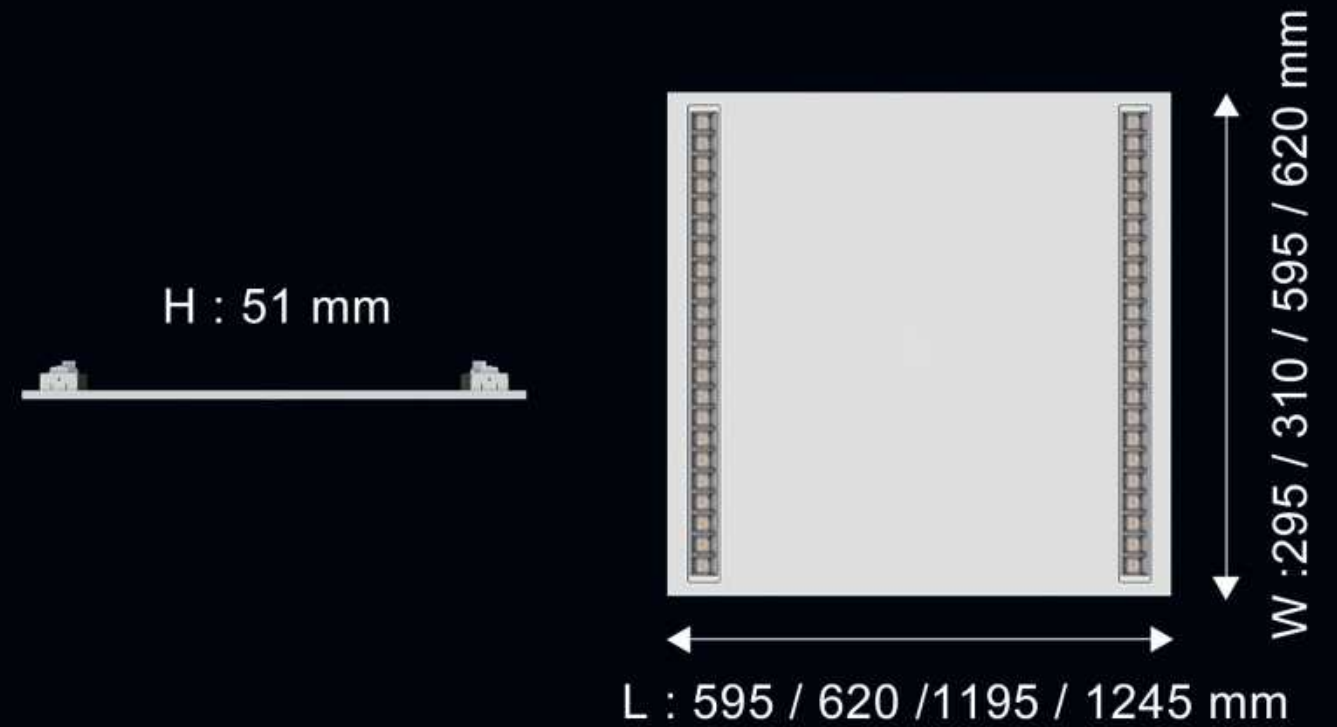
EOS ALYCE

Modular Panel Light

EOS ALYCE may become a next generation panel light by creating a modular louver design light source for the luminaire. Compared to the traditional panel light with side lit solution integrating the light source and luminaire as a whole, EOS ALYCE allows people replace the emitting part without taking out the luminaire. EOS ALYCE is the first class option for offices and education by providing excellent glare control optics with low UGR index down to <16 and high lumen efficiency of 135lm/w. EOS can be installed in various ceiling types:

- for traditional ceiling with T bar, the luminaires is simply lay in;
- In case of concealed carriers or sawn ceiling cut-outs, a mounting kit can be provided for facilitates installation.

Size

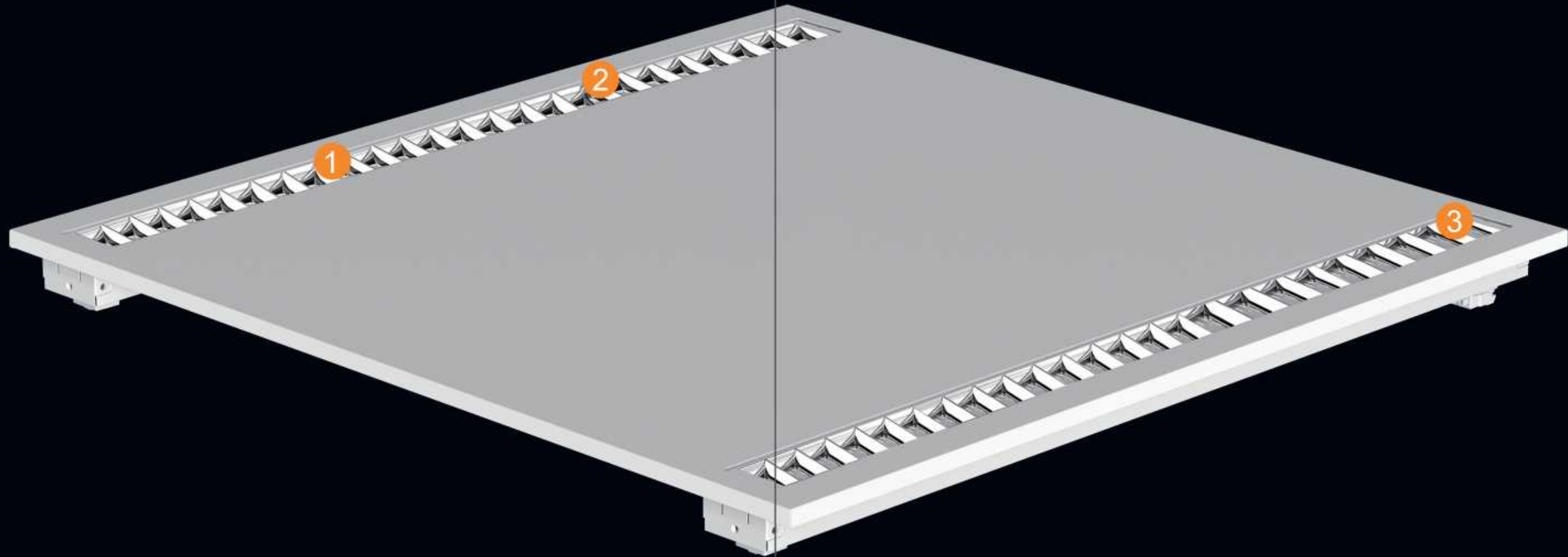


EOS ALYCE

Modular Panel Light

An innovative EYE-Protection Panel

- ① UGR < 19 module with lens solution
- ② Replacable module with GR6D socket
- ③ High Lumen eff. up to 135LM/W





EOS ALYCE

Modular Panel Light

Interchangeable Light Source

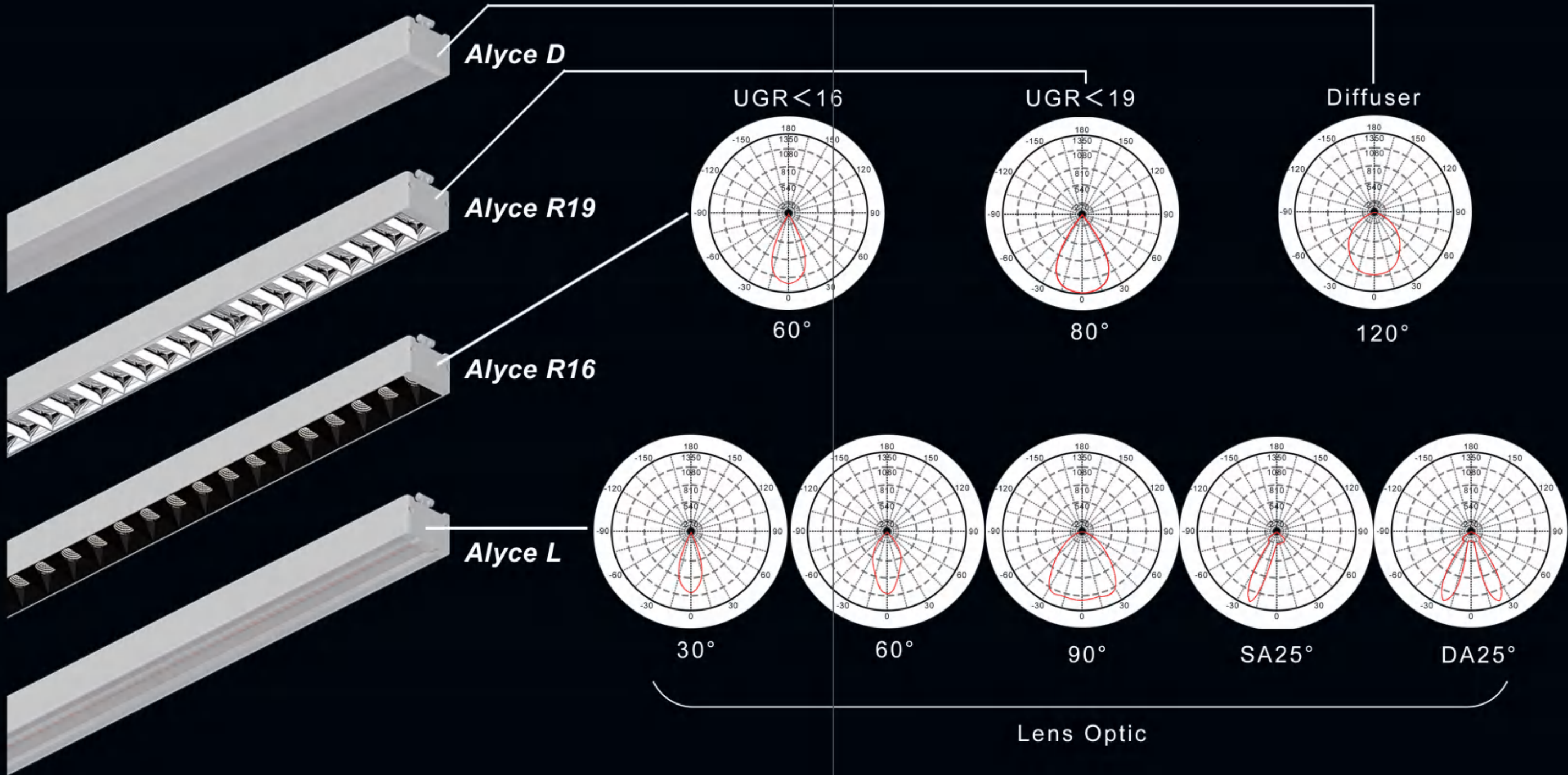
EOS ALYCE may become a next generation panel light by creating a modular louver design light source for the luminaire. Compared to the traditional panel light with side lit solution integrating the light source and luminaire as a whole, EOS ALYCE allows people replace the emitting part without taking out the luminaire. EOS ALYCE is the first class option for offices and education by providing excellent glare control optics with low UGR index down to <math><16</math> and high lumen efficiency of 135lm/w. EOS can be installed in various ceiling types: for traditional ceiling with T bar, the luminaires is simply lay in; In case of concealed carriers or sawn ceiling cut-outs, a mounting kit can be provided for facilitates installation.

EOS ALYCE

Modular Panel Light

Interchangeable Light Source

One Shape , More Optics



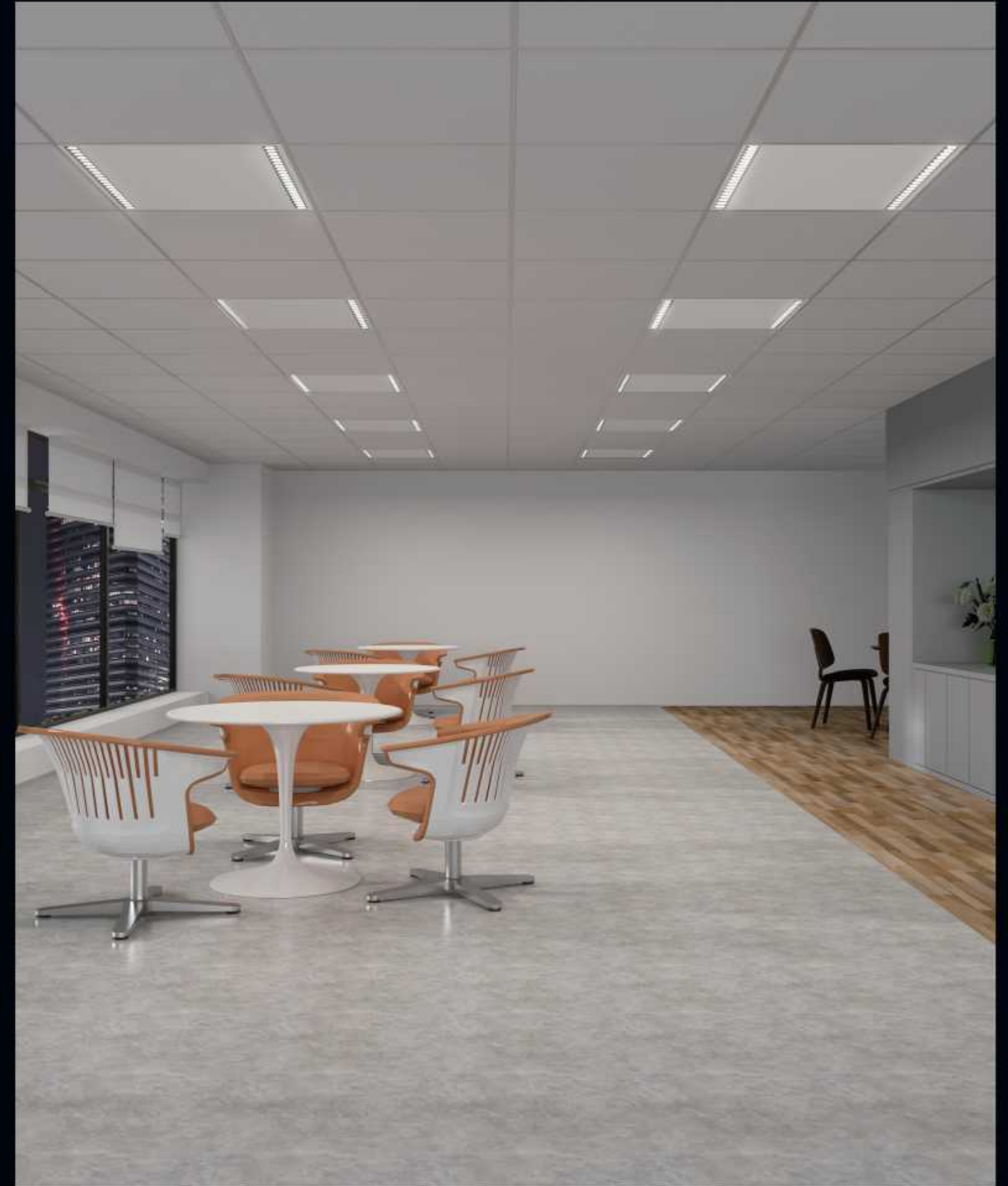
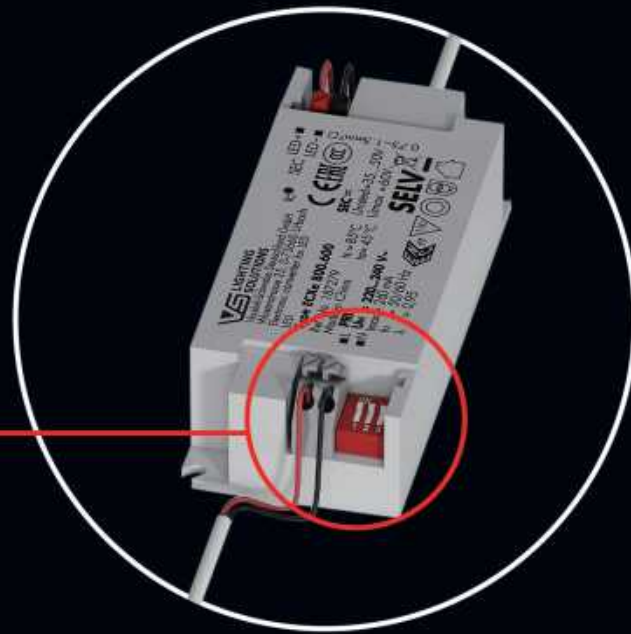
EOS ALYCE

Modular Panel Light

Vossloh-Schwabe LED driver

Prated	Irated	1	2	3
25W	500mA	-	-	-
30W	600mA	NO	-	-
35W	700mA	NO	NO	-
40W	800mA	NO	NO	NO

Power dip switch



TRICCO
Innovate Your Light

EOS ALYCE

Modular Panel Light



TRICCO
Innovate Your Light

EOS ALYCE

Modular Panel Light



TRICCO
Innovate Your Light

EOS ALYCE

Modular Panel Light





Tel:+86-752-5559317

Fax:+86-752-5559357

Email:info@trico-led.com

Website:www.trico-led.com