



**LITA**  
Linear track light



# LITA

Linear track light

Power adjustable 18~65W

Intrack driver

Phase switch

General lighting

Shelf lighting

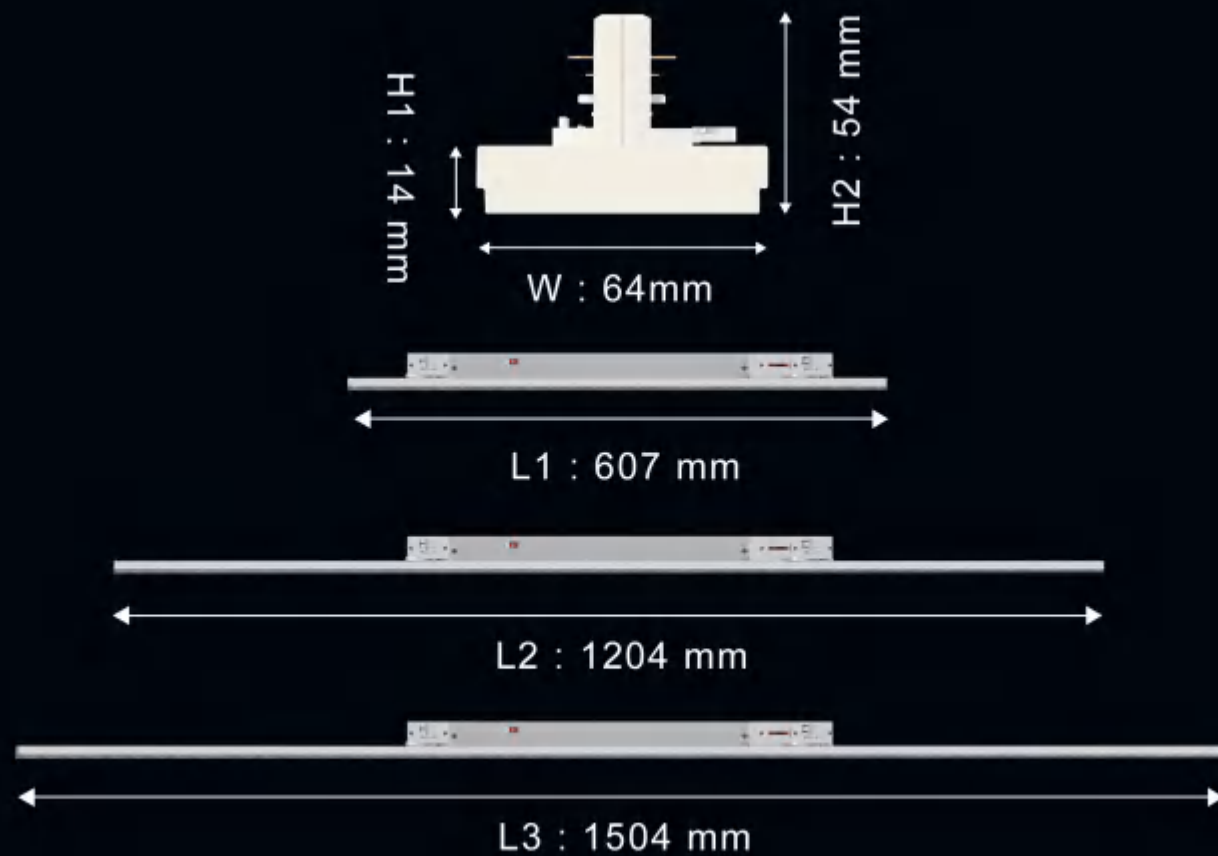
LITA create a new idea of track lighting for retail space with its driver in track design. Its super slim design without driver box exposed realize the perfect combination between track rail and luminaire. In addition to its flexibility on installation and diverse optics, LITA lead a new trend for track lighting.

# LITA

LITA create a new idea of track lighting for retail space with its driver in track design. Its super slim design without driver box exposed realize the perfect combination between track rail and luminaire. In addition to its flexibility on installation and diverse optics, LITA lead a new trend for track lighting.

Linear track light

## Size





## LITA

### Linear track light

LITA create a new idea of track lighting for retail space with its driver in track design. Its super slim design without driver box exposed realize the perfect combiantion between track rail and luminaire. In addition to its flexibility on installation and diverse optics, LITA lead a new trend for track lighting.

#### *An innovative EYE-Protection Panel*

- ① DALI contact pole
- ② Power adjustable 39-64W
- ③ Flexible optics combination
- ④ Driver bulid-in the track rail
- ⑤ 3-phase adjustable L1/L2/L3
- ⑥ Aluminum housing color white or black

# LITA

Linear track light

LITA create a new idea of track lighting for retail space with its driver in track design. Its super slim design without driver box exposed realize the perfect combination between track rail and luminaire. In addition to its flexibility on installation and diverse optics, LITA lead a new trend for track lighting.



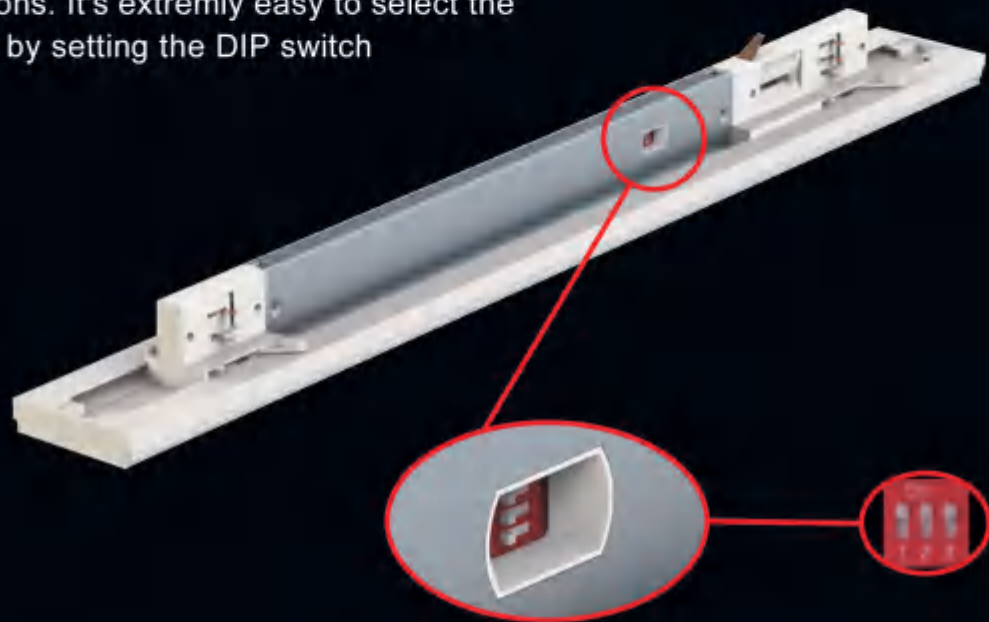
Aluminum housing  
color white or black

Various optics  
SA25°, DA25°, 30°, 60°, 90°, 120°  
UGR 19 available



## POWER ADJUSTABLE BY DIP SWITCH DESIGN

8 power options. It's extremely easy to select the power range by setting the DIP switch



1.5M

120°				
1	2	3	Irated(mA)	Prated(W)
ON	OFF	OFF	300	43
ON	ON	OFF	350	52
ON	ON	ON	400	62

UGR<19				
1	2	3	Irated(mA)	Prated(W)
ON	OFF	OFF	300	42
ON	ON	OFF	350	51
ON	ON	ON	400	61

1.2M

UGR<19				
1	2	3	Irated(mA)	Prated(W)
OFF	OFF	OFF	250	35
ON	OFF	OFF	300	43
ON	ON	OFF	350	51
ON	ON	ON	400	59

0.6M

120°, UGR<19				
1	2	3	Irated(mA)	Prated(W)
OFF	OFF	OFF	250	19
ON	OFF	OFF	300	23
ON	ON	OFF	350	27
ON	ON	ON	400	31

30°, 60°, 90°, DA25°				
1	2	3	Irated(mA)	Prated(W)
OFF	OFF	OFF	250	41
ON	OFF	OFF	300	49
ON	ON	OFF	350	58
ON	ON	ON	400	66

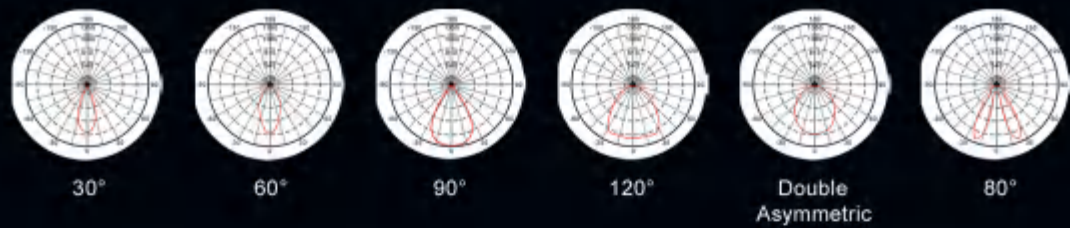
30°, 60°, 90°, 120°, DA25°				
1	2	3	Irated(mA)	Prated(W)
OFF	OFF	OFF	250	32
ON	OFF	OFF	300	38
ON	ON	OFF	350	46
ON	ON	ON	400	54

30°, 60°, 90°, DA25°				
1	2	3	Irated(mA)	Prated(W)
OFF	OFF	OFF	250	17
ON	OFF	OFF	300	20
ON	ON	OFF	350	24
ON	ON	ON	400	27



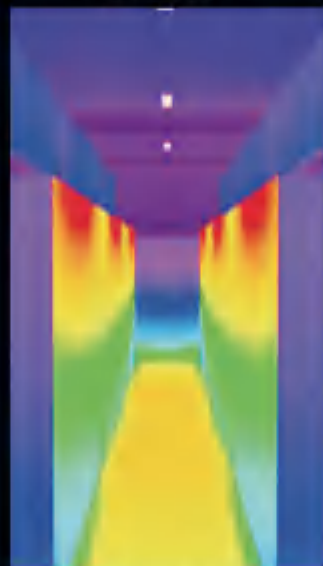
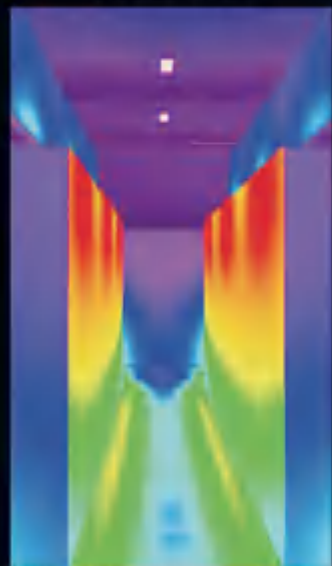
## INNOVATIVE DESIGN ON OPTICS

Diverse optics enable the light to the aisle or to the shelf as required in different applications.



Diverse optics

Diverse optics



AD

CD90

### Diverse optics

Diverse optics combination  
different application.



Global



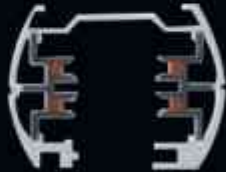
Eutrac



Staff



Ivela



Unipro



Stucchi



Erco



**LITA**

Linear track light

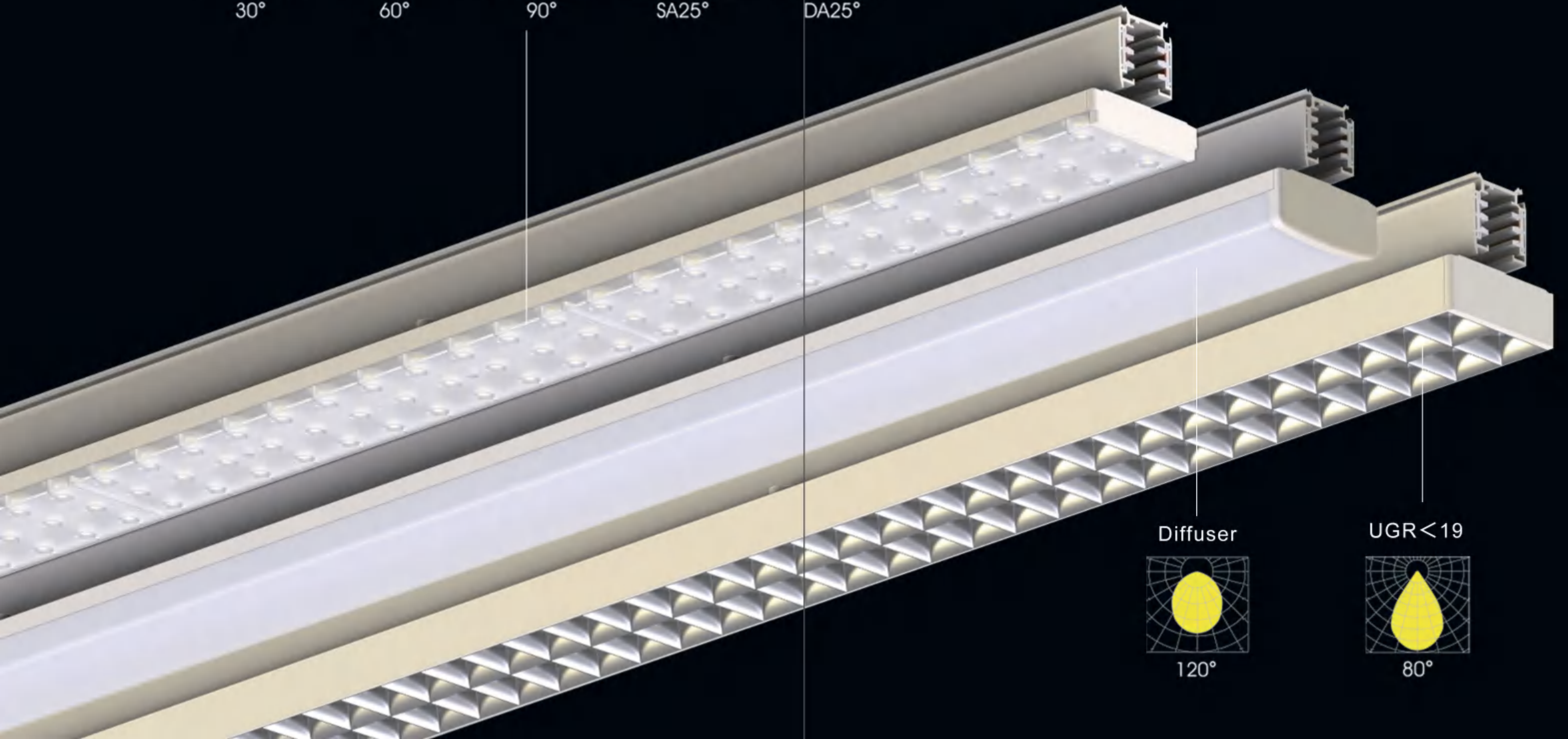
*Apply to the brands track rail*





# LITA

Linear track light



Diffuser



UGR < 19



# LITA

Linear track light





Tel:+86-752-5559317

Fax:+86-752-5559357

Email:[info@trico-led.com](mailto:info@trico-led.com)

Website:[www.trico-led.com](http://www.trico-led.com)