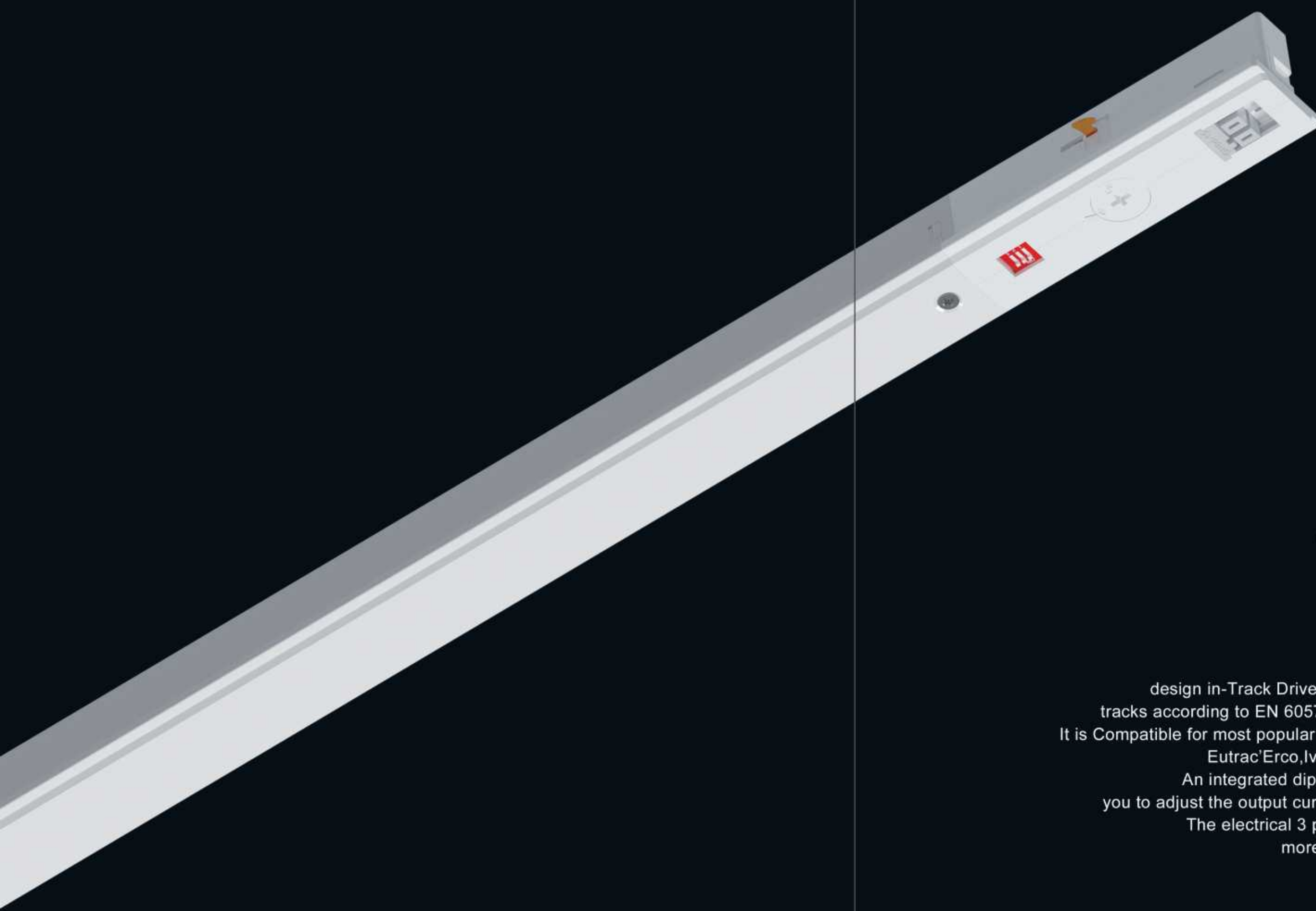




# TAK ALYCE

Universal Intrack driver



---

## **TAK ALYCE**

Universal Intrack driver

TAK ALYCE is a innovative patent design in-Track Driver for linear module light for 3-phase tracks according to EN 60570 in according to ZHAGA Book 14 . It is Compatible for most popular 3-phase track brands like GLOBAL, Eutrac'Erco, Ivela, Powergear, Stucchi, Unipro, Staff. An integrated dip switch design on the driver enables you to adjust the output current as various application required. The electrical 3 phase changing mechanism make it more easy to set phase of L1,L2 and L3.

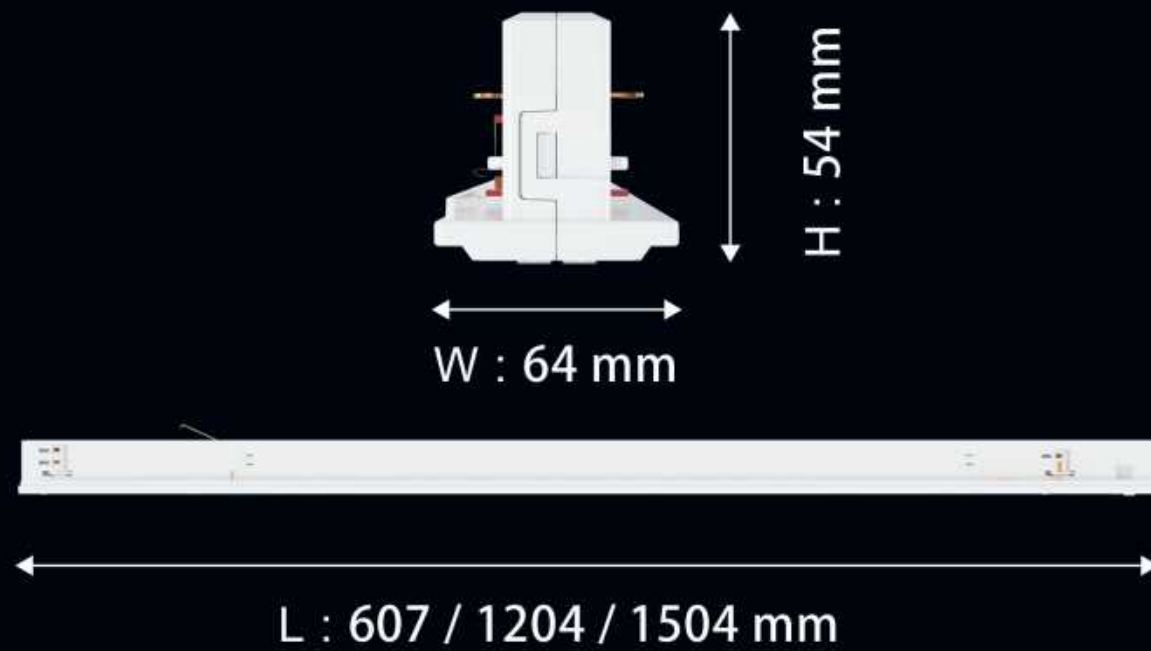
TAK ALYCE is a innovative patent design in-Track Driver for linear module light for 3-phase tracks according to EN 60570 in according to ZHAGA Book 14 . It is Compatible for most popular 3-phase track brands like GLOBAL, Eutrac'Erco, Ivela, Powergear, Stucchi, Unipro, Staff. An integrated dip switch design on the driver enables you to adjust the output current as various application required. The electrical 3 phase changing mechanism make it more easy to set phase of L1,L2 and L3.



## **TAK ALYCE**

Universal Intrack driver

TAK ALYCE is a innovative patent design in-Track Driver for linear module light for 3-phase tracks according to EN 60570 in according to ZHAGA Book 14 . It is Compatible for most popular 3-phase track brands like GLOBAL, Eutrac'Erco, Ivela, Powergear, Stucchi, Unipro, Staff. An integrated dip switch design on the driver enables you to adjust the output current as various application required. The electrical 3 phase changing mechanism make it more easy to set phase of L1,L2 and L3.



## Size

## TAK ALYCE

Universal Intrack driver

TAK ALYCE is a innovative patent design in-Track Driver for linear module light for 3-phase tracks according to EN 60570 in according to ZHAGA Book 14 . It is Compatible for most popular 3-phase track brands like GLOBAL, Eutrac'Erco, Ivela, Powergear, Stucchi, Unipro, Staff. An integrated dip switch design on the driver enables you to adjust the output current as various application required. The electrical 3 phase changing mechanism make it more easy to set phase of L1, L2 and L3.



*An innovative EYE-Protection Panel*

- ⑤ L,N Connect Pole
- ⑥ Ground Connect Pole
- ⑦ 3 Phases Dip Switch

**TAK ALYCE**

Universal Intrack driver

*An innovative EYE-Protection Panel*

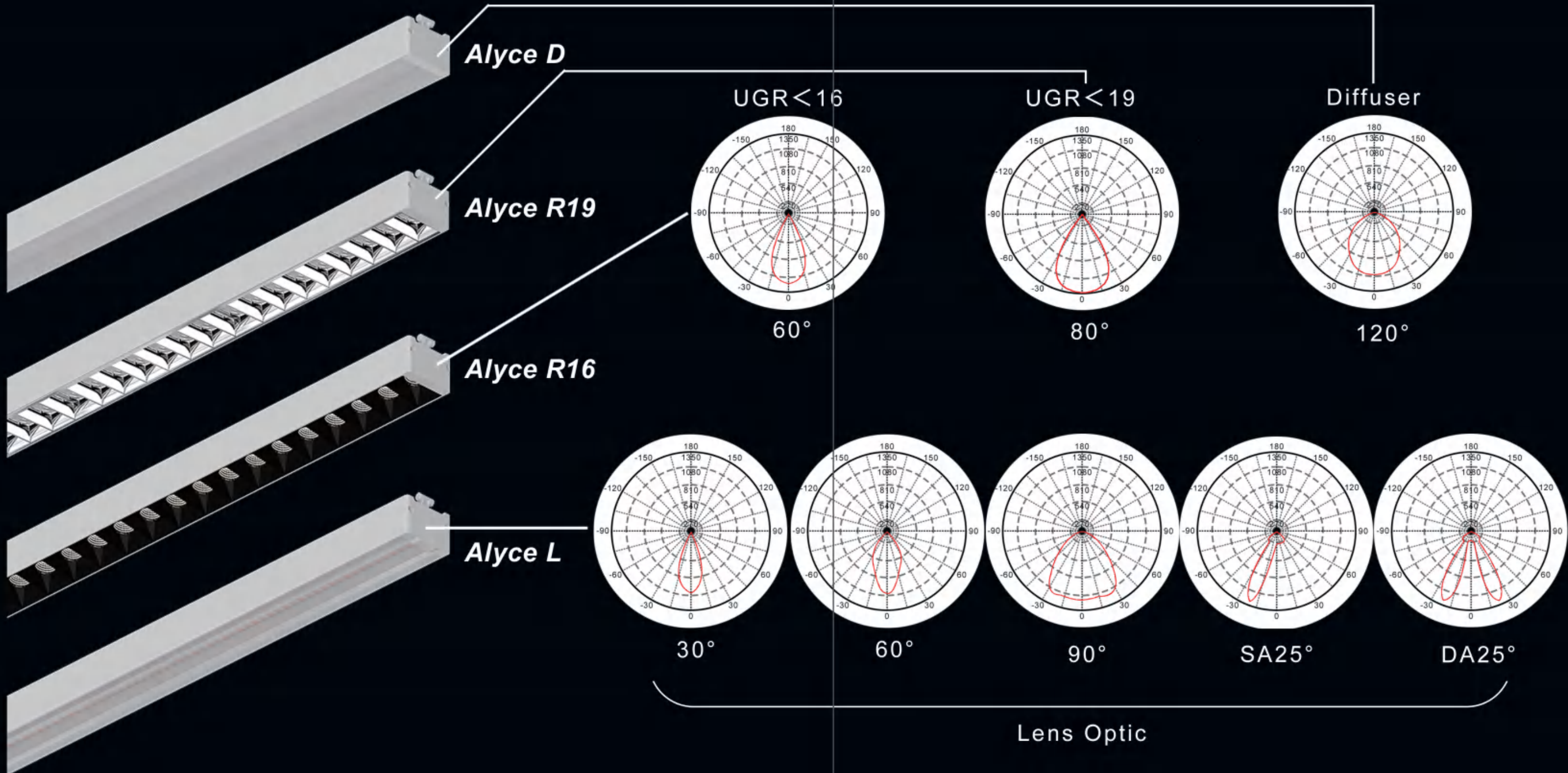
- ① Lamp socket
- ② Locking Knob
- ③ Power Dip Switch
- ④ D+,D- Connect Pole

# TAK ALYCE

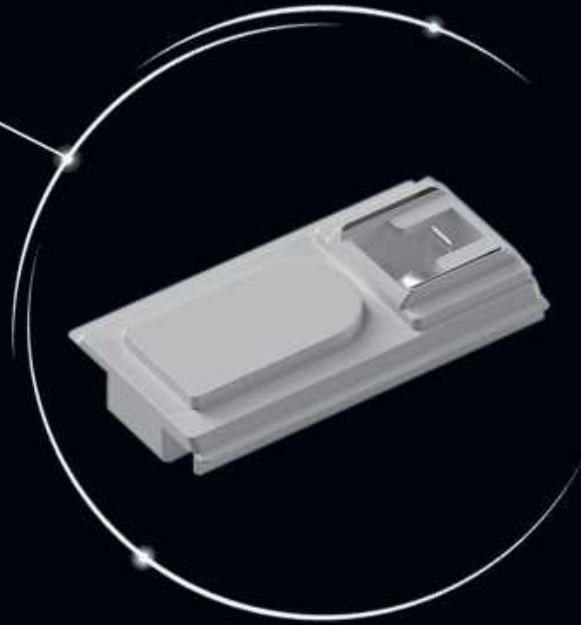
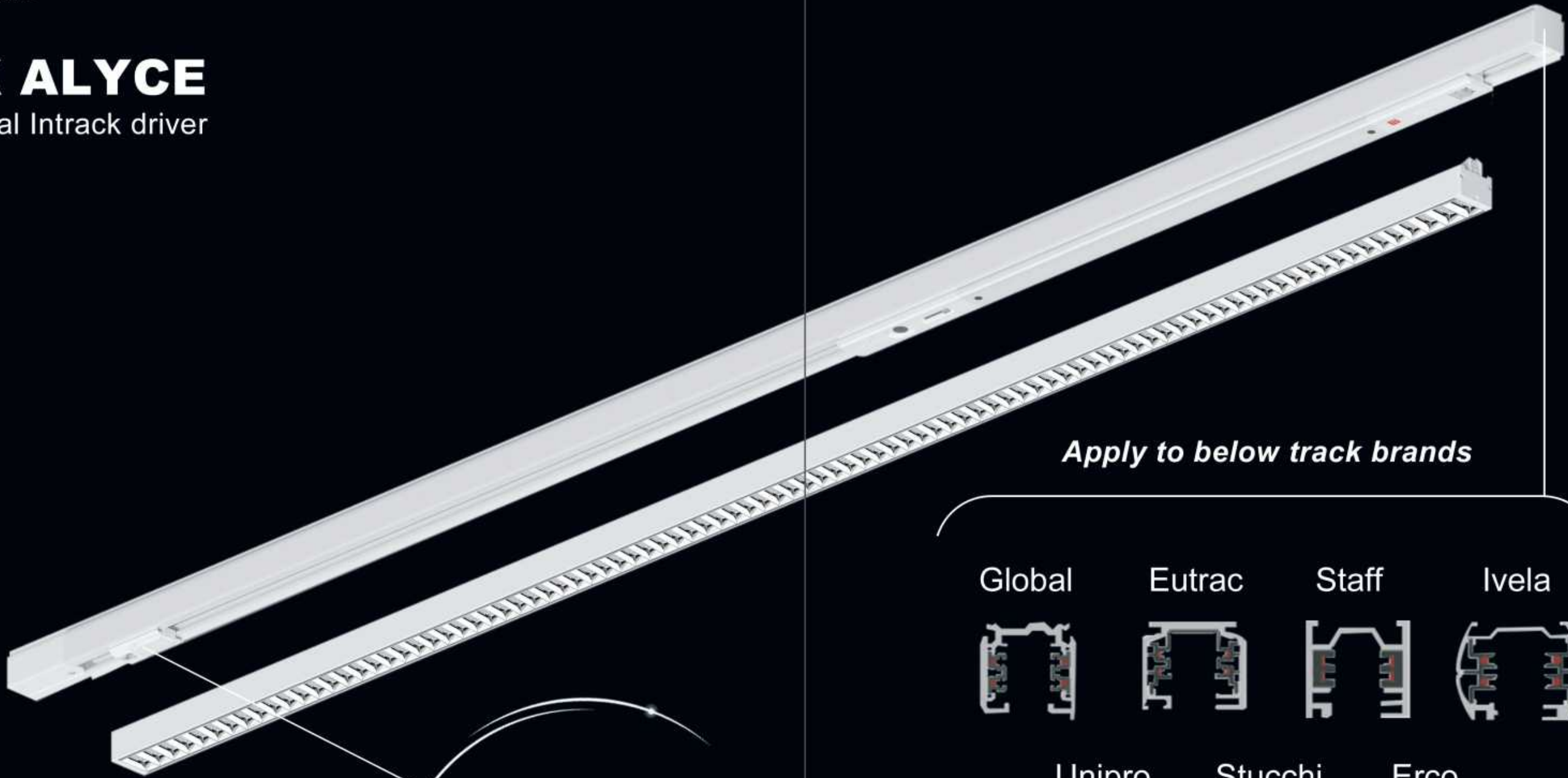
Universal Intrack driver

Interchangeable Light Source

## One Shape , More Optics



**TAK ALYCE**  
Universal Intrack driver



*Apply to below track brands*

Global



Eutrac



Staff



Ivela



Unipro



Stucchi



Erco



**TRICCO**  
Innovate Your Light

# TAK ALYCE

Universal Intrack driver





**TRICCO**  
Innovate Your Light

# TAK ALYCE

Universal Intrack driver

Mary's Clothes Store





Tel:+86-752-5559317

Fax:+86-752-5559357

Email:[info@trico-led.com](mailto:info@trico-led.com)

Website:[www.trico-led.com](http://www.trico-led.com)