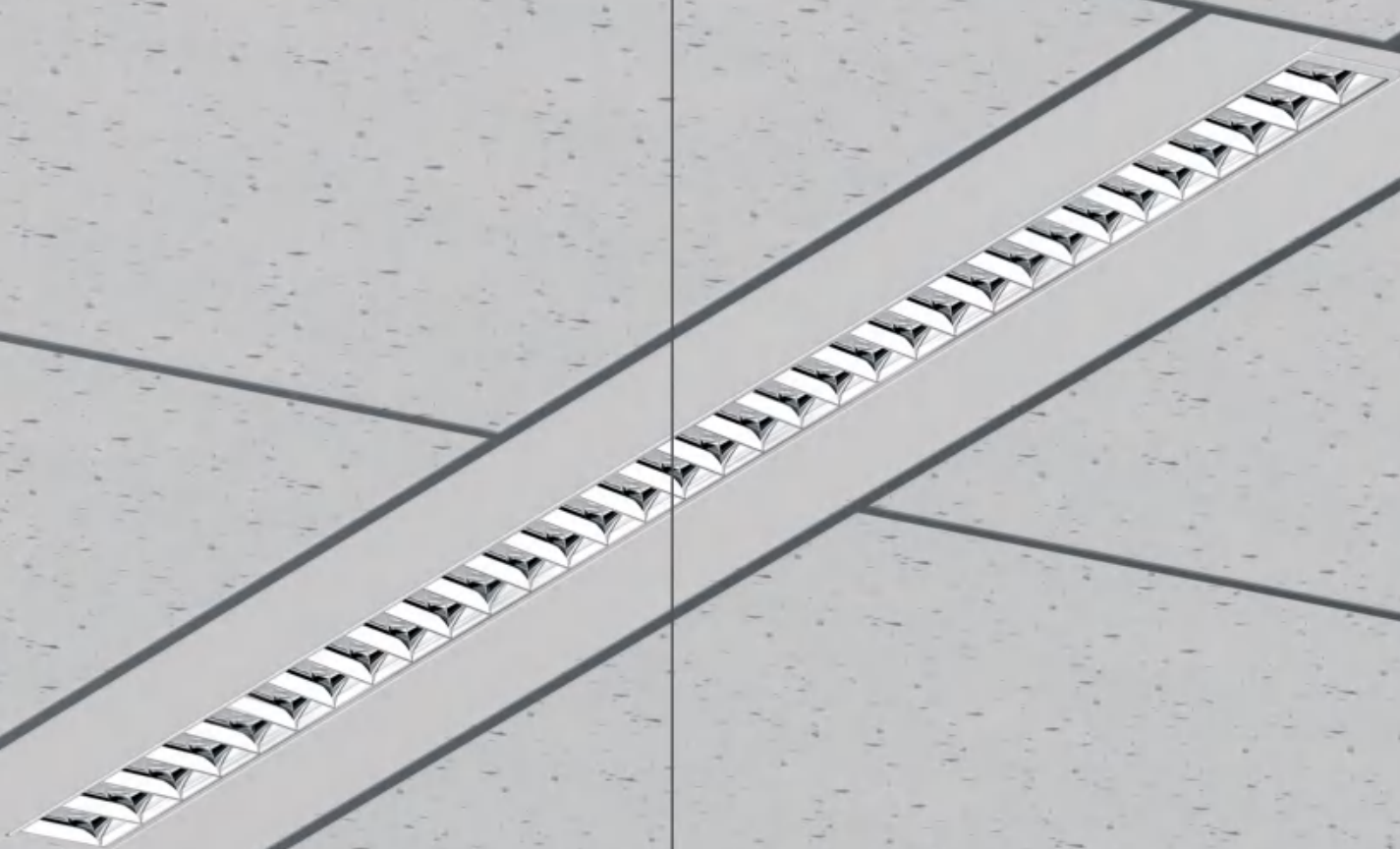




for Armstrong® Ceiling Solutions

# TINO ALYCE

Ceiling Customized Modular Recessed Light



## **TINO ALYCE**

Ceiling Customized Modular Recessed Light

An innovative  
eye-protection recessed ceiling  
panel light made for  
Armstrong® ceiling solutions.

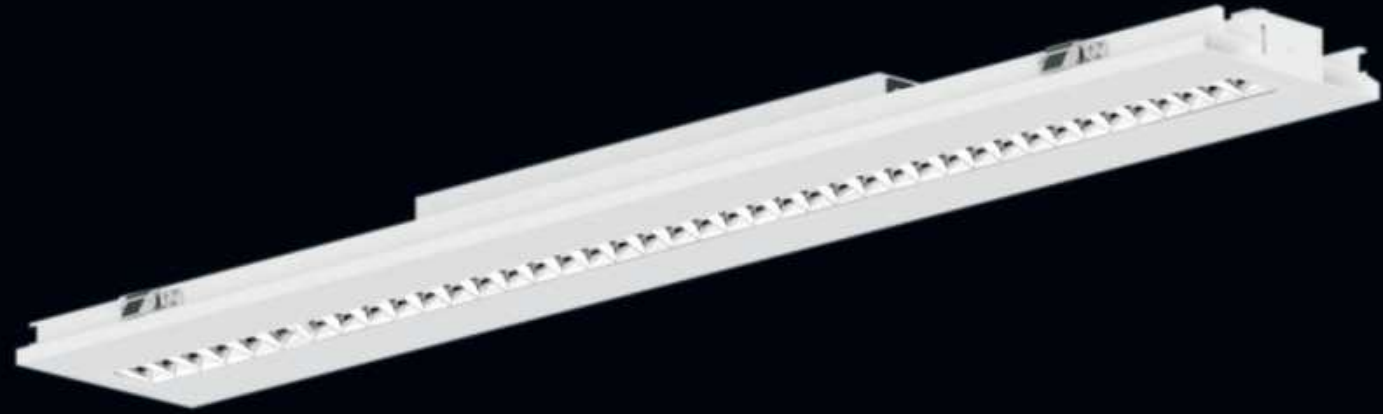
Flush integration  
into ceiling  
system for perfect visual effect.

Module design for extremely  
easy replacement and maintainance.



**Armstrong**®  
made for Armstrong® ceiling solutions



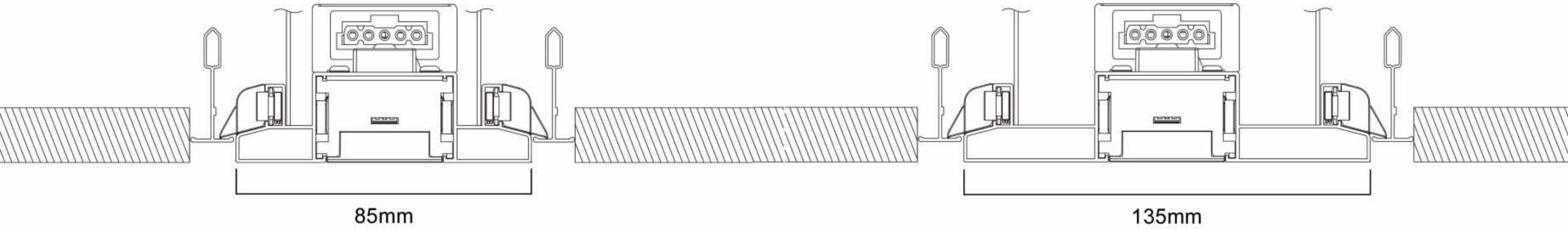


## TINO ALYCE

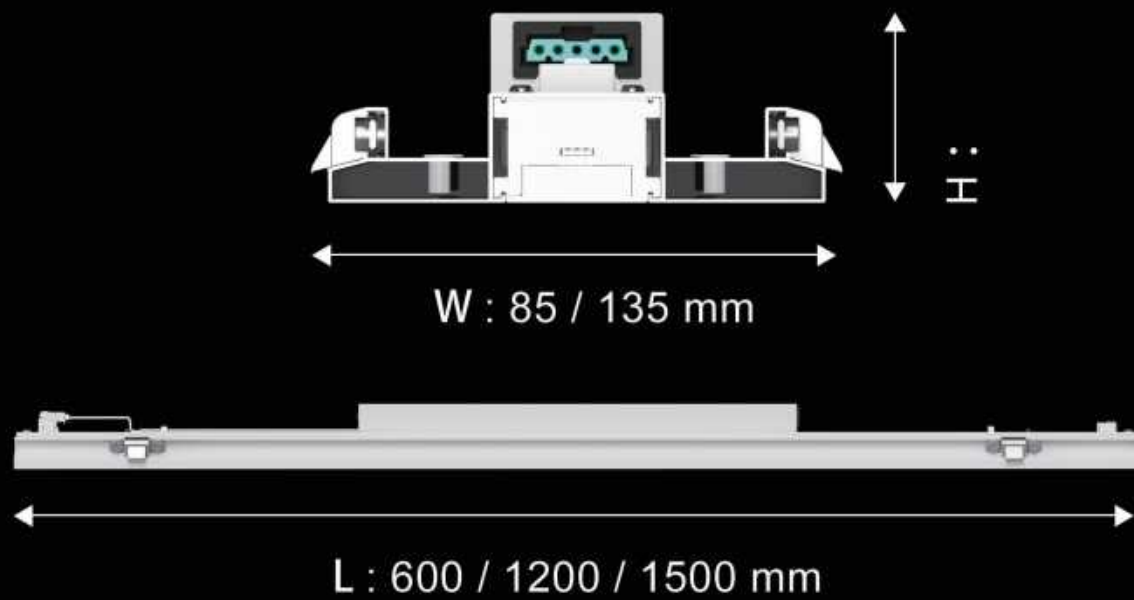
Ceiling Customized Modular Recessed Light

TINO ALYCE was specially designed for the Armstrong® ceiling system. Perfect integration into the ceiling system results in a consistent visual on ceiling. Thanks to the snap-in mechanism, installation is quick, simple, and tool-free. TINO ALYCE is available in a number of different versions. In addition to the two widths and four different lengths, all product versions are available as individual and linkable luminaires. The Plug & Play connector ensures that the profile luminaires can be connected quickly and conveniently





## Size



TINO ALYCE 100 recessed

TINO ALYCE 150 recessed

Product versions

TINO Alyce is available in a number of different versions.

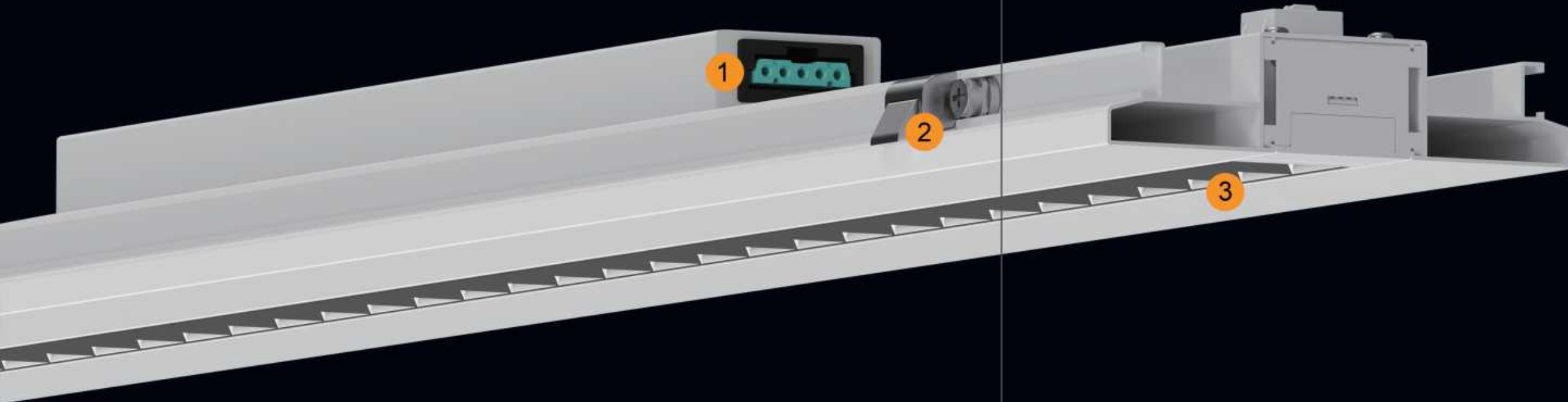
In addition to the two widths and three different lengths,

all product versions are available as individual and system luminaires.

# TINO ALYCE

Ceiling Customized Modular Recessed Light





**1 PLUG & PLAY CABLE SYSTEM**

The Plug & Play adapter ensures that the fixture can be connected quickly and conveniently.

**3 Light Source**

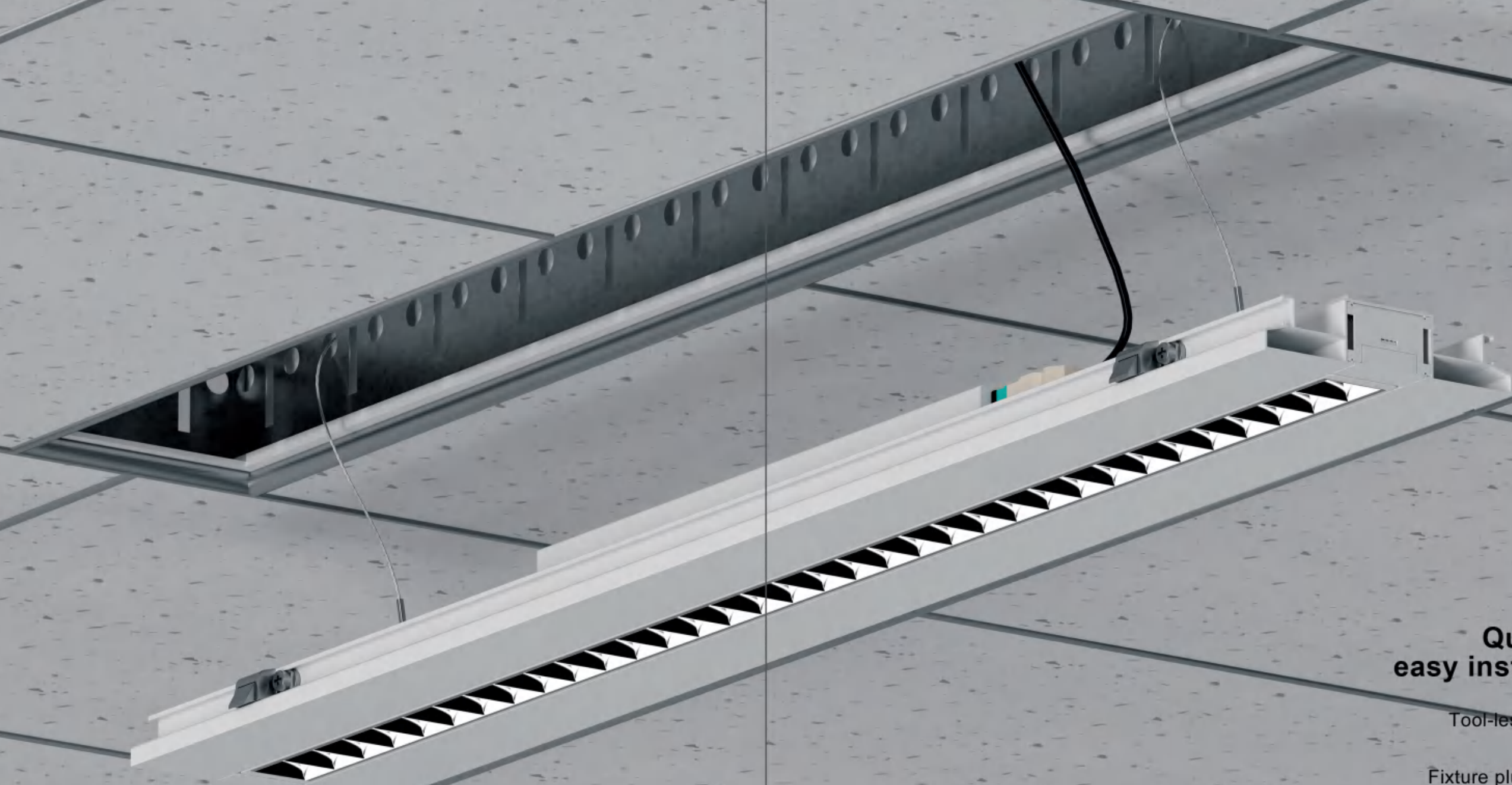
Replacable module, UGR < 19  
with lens solutions, high lumen  
eff. up to 135LM/WS

**2 One simple click,  
Quick and easy mounting**

Installing the light fixture is very simple. TINO ALYCE can be clicked into the ceiling grid with just one step. Thanks to the snap-in mechanism, where the fixture clicks into place. Two additional cords at both ends act as installation aids, preventing the fixture from falling off during installation.

**TINO ALYCE** available in a number of different optics. like 30°、60°、80°、90°、120°、all product versions are available as individual.

**TINO ALYCE**  
Ceiling Customized Modular Recessed Light

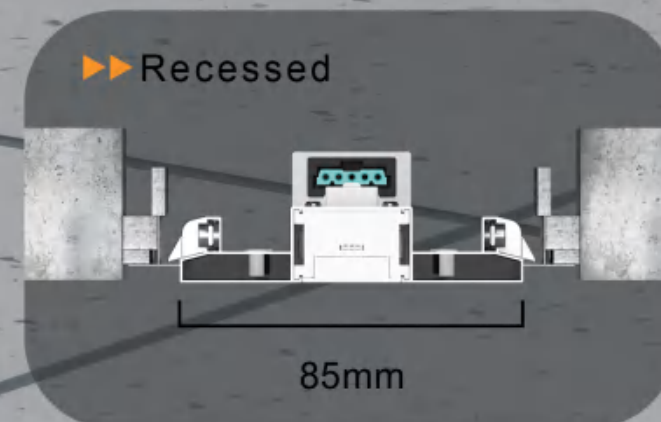


## Quick and easy installation

Tool-less installation connection

Fixture plug-ins can be installed without any tools, and an integrated snap-in mechanism can also be used as a mounting device.

Plug-and-play adapter design ensures that fixtures can connect quickly and easily. Embedded integration into Armstrong® Ceiling Systems provides a flush-to-ceiling visual effect.



**Armstrong**®  
made for Armstrong® ceiling solutions





---

## **TINO ALYCE**

Ceiling Customized Modular Recessed Light

*Interchangeable Light Source*

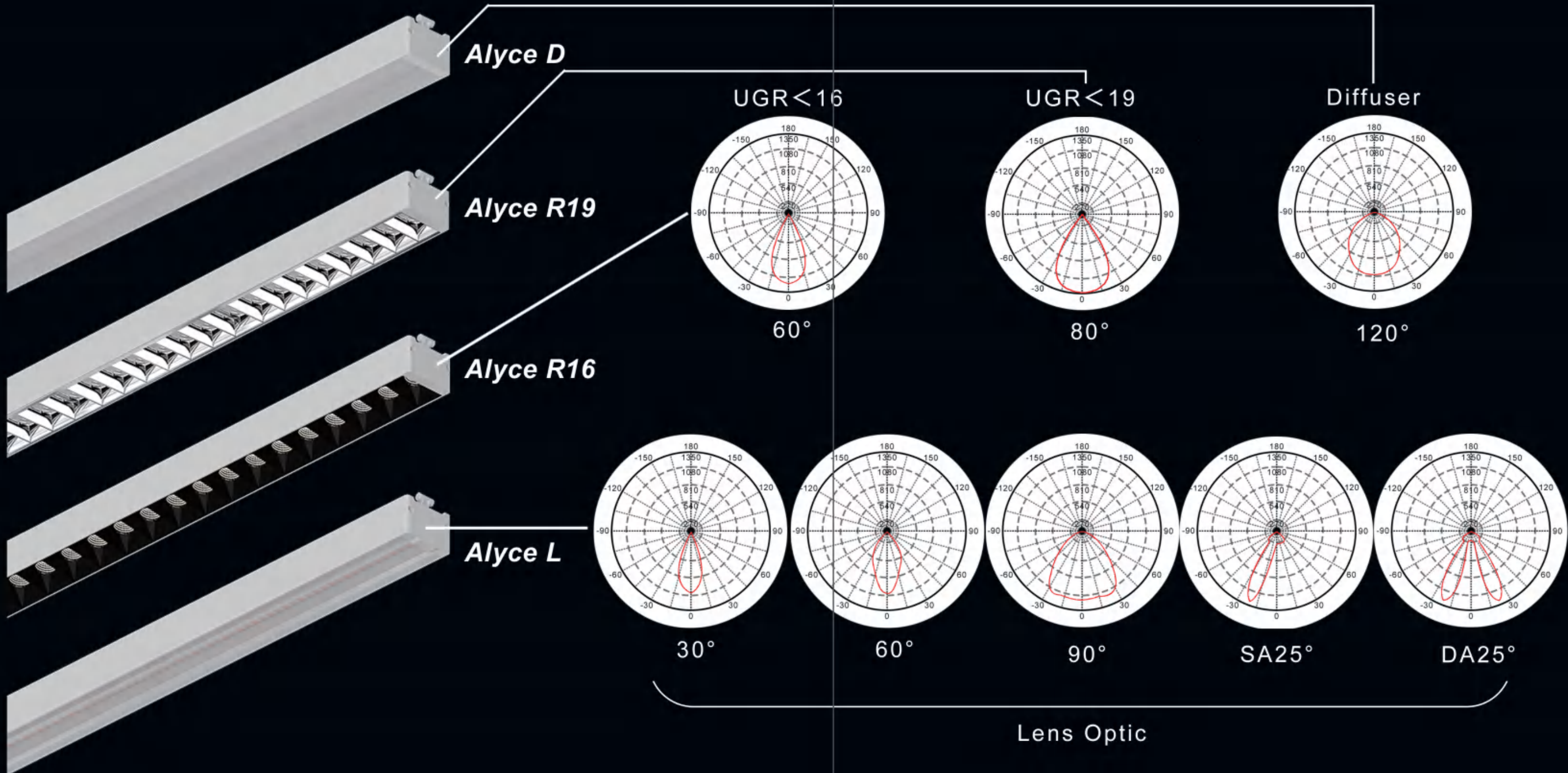
---

# TINO ALYCE

Ceiling Customized Modular Recessed Light

Interchangeable Light Source

## One Shape , More Optics





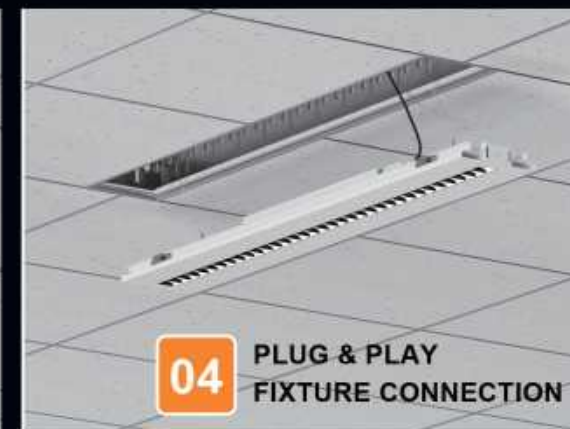
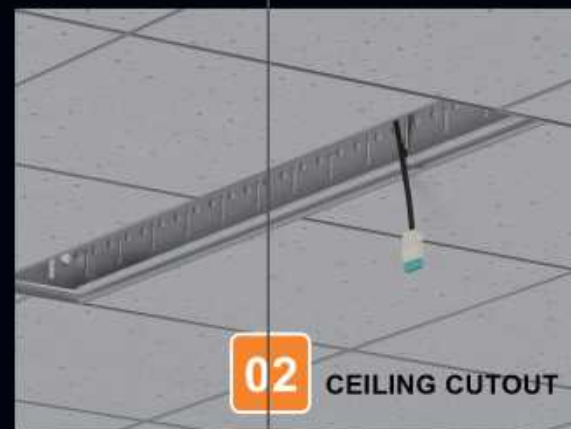


## **TINO ALYCE**

Ceiling Customized Modular Recessed Light



*Continuous installation*



# TINO ALYCE

Ceiling Customized Modular Recessed Light



**TRICCO**  
Innovate Your Light

## **TINO ALYCE**

Ceiling Customized Modular Recessed Light





**TRICCO**  
Innovate Your Light

## **TINO ALYCE**

Ceiling Customized Modular Recessed Light





**TRICCO**  
Innovate Your Light

## **TINO ALYCE**

Ceiling Customized Modular Recessed Light





Tel:+86-752-5559317

Fax:+86-752-5559357

Email:[info@trico-led.com](mailto:info@trico-led.com)

Website:[www.trico-led.com](http://www.trico-led.com)